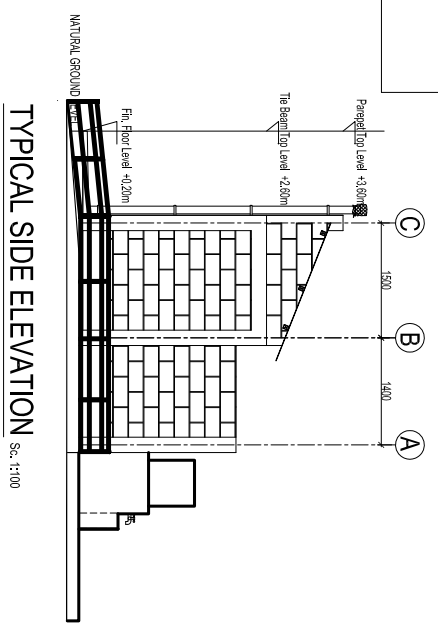
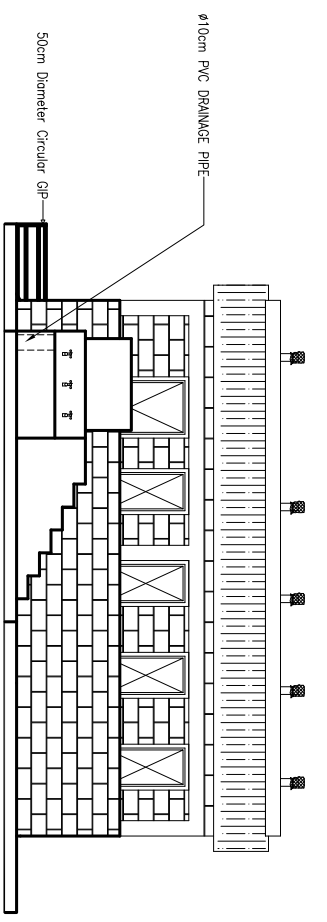
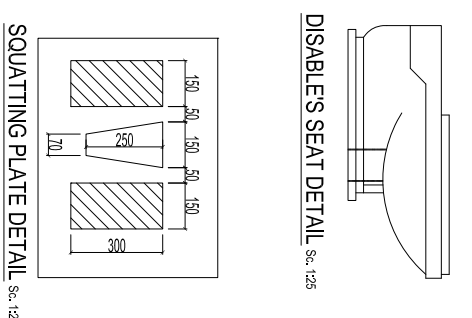
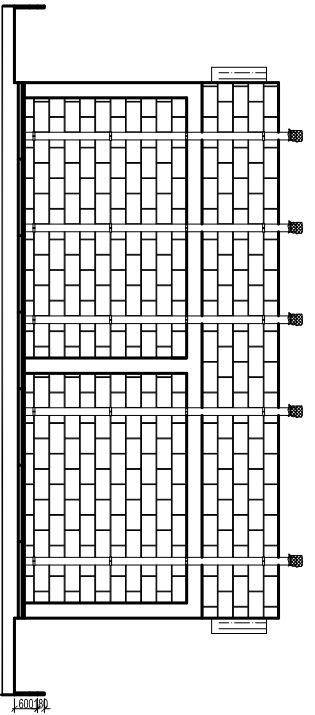
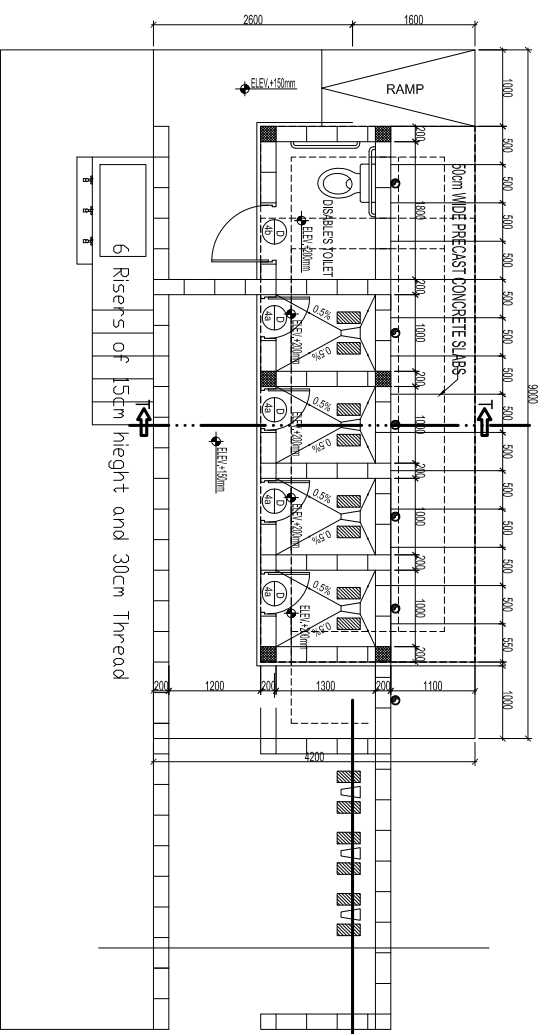
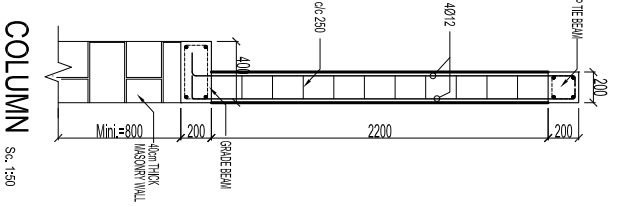
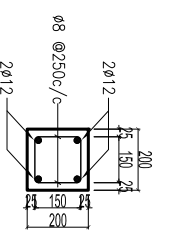
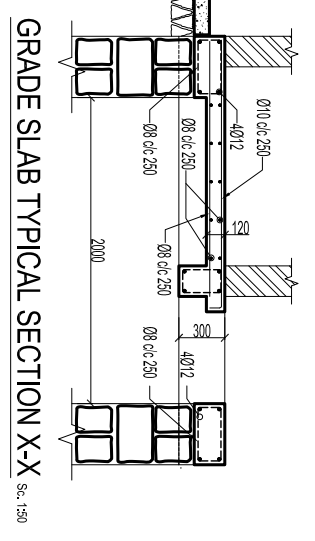
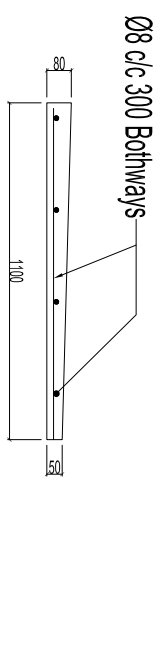
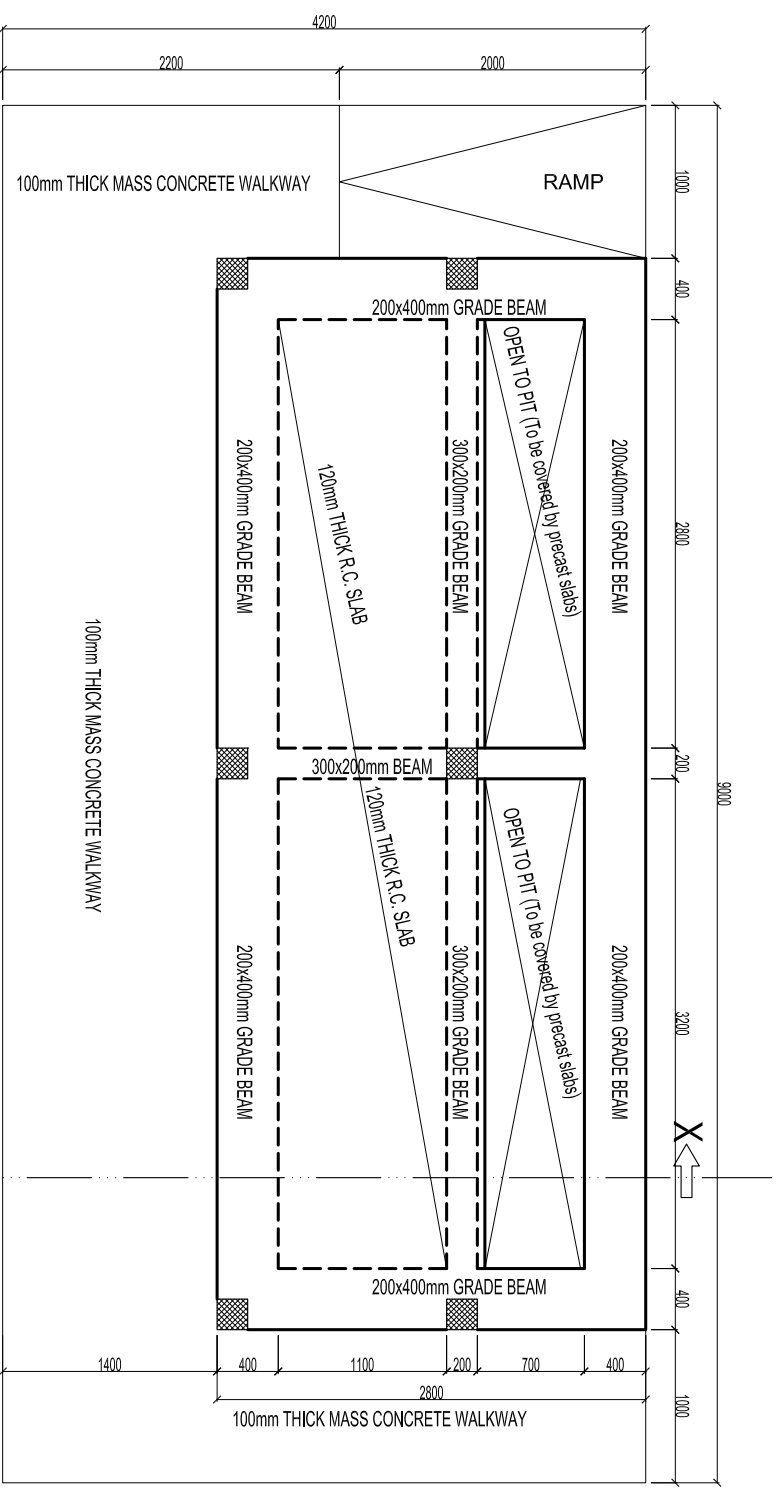
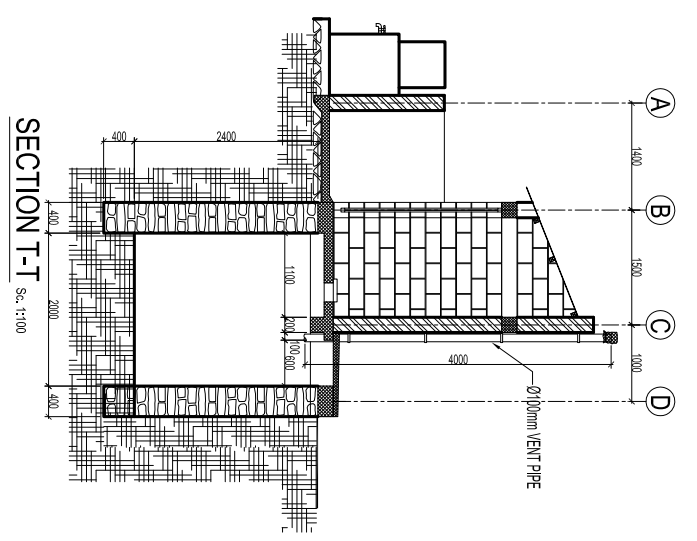


Fig. 3 - 4+1 ROOMS FEMALE STUDENTS' DRY PIT LATRINE



DOOR SCHEDULE Sc. 1:100

TYPE	SIZE	QUANTITY
D4a	800 x 2200 mm	3
D4b	800 x 2200 mm	1



NOTE: 1. ALL DIMENSIONS ARE IN MILLIMETERS UNLESS OTHERWISE SPECIFIED.

APPROVAL:

CLIENT:

PROJECT TITLE:
**MOE STANDARD
 STATE OF ERITREA
 Ministry of Education
 SCHOOL INFRASTRUCTURE**

BUILDING TYPE:
4+1 ROOMS FEMALE STUDENTS' PIT LATRINE

DRAWING TITLE:
GROUND FLOOR PLAN, ELEVATIONS & SECTION

DESIGNED BY: P.A.U.-ME
 DRAWN BY: P.A.U.-ME
 CHECKED BY: P.A.U.-ME
 APPROVED BY: P.A.U.-ME

DATE: DECEMBER 2013

SCALE: A-03

As shown on paper size B4 & B5 reduced by half paper B3